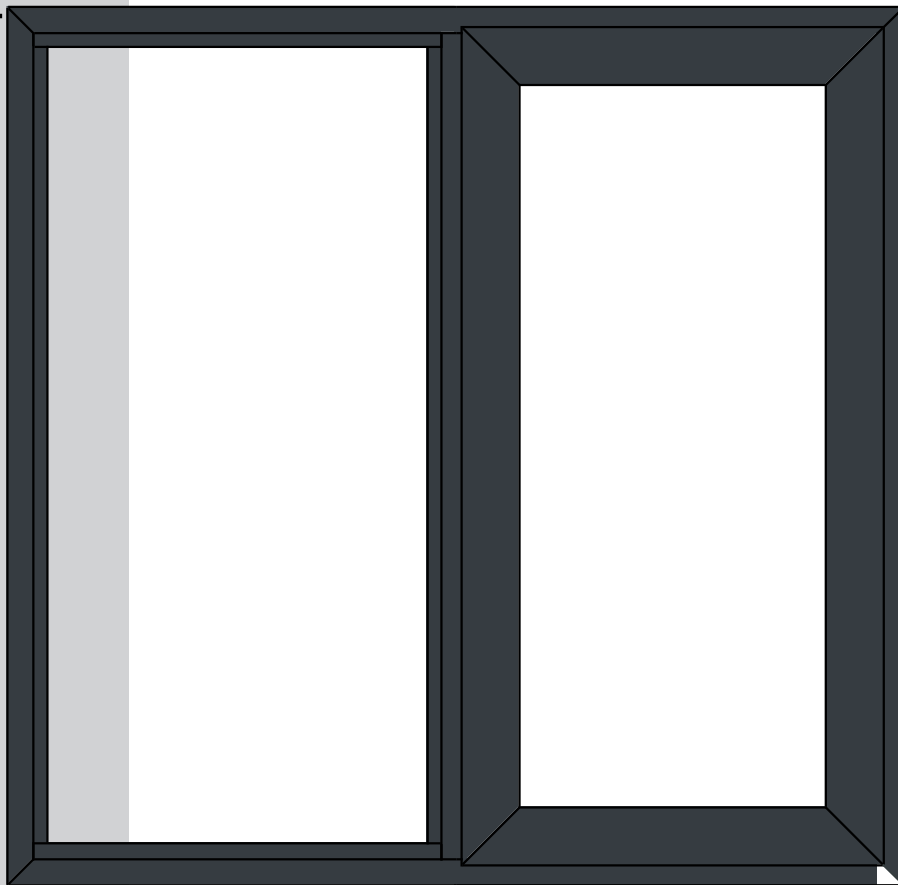


ULTRA Aluminium Clad and SUPREME/STATUS Aluminium WINDOW

Assembly Instructions



About your Windows

All products must be installed in accordance with accepted good trade practice (and in accordance with supplied instructions where applicable), and maintained in accordance with these procedures or else the warranty shall be void.

Important information

- We recommend that a competent tradesperson install this product.
- A single person must *never* carry out the installation, as some components are very heavy.

Care of ULTRA aluminium clad timber Windows and SUPREME/STATUS Aluminium Windows

- Please check the Window Frame and Cill at the time of delivery to ensure that they are acceptable and in good condition. If you find a component missing or damaged please inform your supplier immediately. We keep replacement components of most window parts and these can be sent out to you quickly. This will save you having to re-package and return the whole window, and allows you to continue with the project. (See separate parts list for component reference number).
- When storing prior to installation the windows should be kept in their packaging, handles with care and stored in a dry, ventilated building. Windows should be stored flat on a level surface (not on edge or on end).

VERY IMPORTANT

- It is vitally important to handle the Windows *very carefully* at all times to avoid damaging the powder-coated finish on the aluminium.
- All Windows should be handled by *two people* at all times as they are very heavy.

Trimming

- The Windows are not designed to be trimmed on site and should be fitted as supplied.

Conditions of Sale

- We shall not be held responsible for any incidental work expenses arising out of or because of any defect in our product, or bad workmanship to our product. In the event of the goods having manufacturing defects and requiring replacement, our liability will be limited to the value of the Window only. These notes do not affect your statutory rights with the retailer of this product.

Maintenance of the Hardware

Hinges:

Wipe down the visible surfaces with warm soapy water on a soft rag and then rinse off by wiping with a clean damp rag. Application of a thin film of light machine oil or WD40 will help to maintain the original lustre of the metal finish. Be careful not to get these compounds on any timberwork as they may cause staining.

Handles/Locks:

Spray application of a suitable lubricant such as WD40 to the inside the Lock mechanism is recommended. A tube attached to the nozzle will help to concentrate the spray where you want it to go. Also apply to the handle mechanism.

Frequency:

The procedures mentioned above need to be carried out as often as is necessary to prevent deterioration and to ensure the lock and handles operate smoothly.

Please be careful not to get the lubricants or other liquids above on the Timber components as may cause staining of the timber.

The properties of timber

No two trees produce identical grains or colour of wood and this adds to the beauty of a natural product. We therefore cannot guarantee that all window and frame components will look exactly the same in grain and colour. Warping of wood is not a defect if it does not exceed 1/4 inch 6mm in its installed position.

Maintaining the Windows

The outside powder-coated finish on the aluminium should be regularly washed with warm soapy water, rinsed with clean water and dried off.

The oak timber inside finish is a resilient polyurethane clear varnish which should last for several years. To maintain, just wipe down with a damp cloth. If the oak requires re-coating, use a proprietary brand of clear PU varnish.

Contents

Please check the contents of the packages to ensure that all parts are present before beginning assembly.

Window Frames

ULTRA Aluminium Clad Oak or SUPREME/STATUS Aluminium Window Frame/s.

Handle

Quantity: (1, 2 or 3 depending on number of opening sashes).



Cill

Quantity: 1

Window Installation Bag

Cill end Caps - Quantity: 2

ULTRA



SUPREME



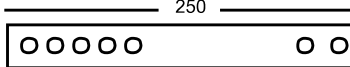
Hardened steel frame fixings - quantity 28



Hardened steel wood screws
pozi flat countersunk

M4 x 25mm- quantity 14



Window Fixing Straps 

PZ2 Bit - quantity 1



TX30 Bit - quantity 1

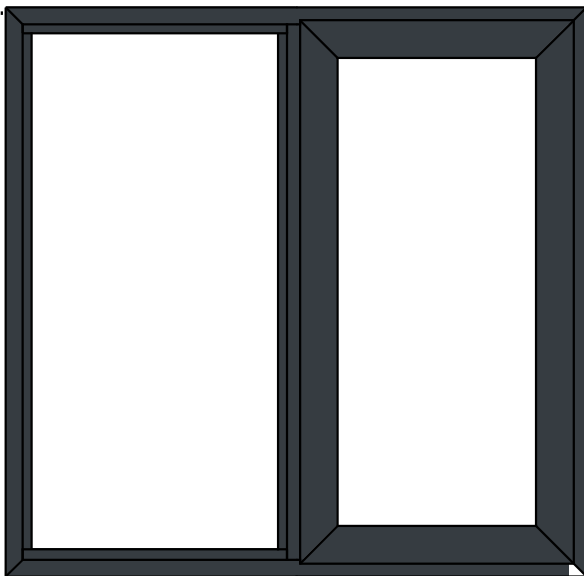
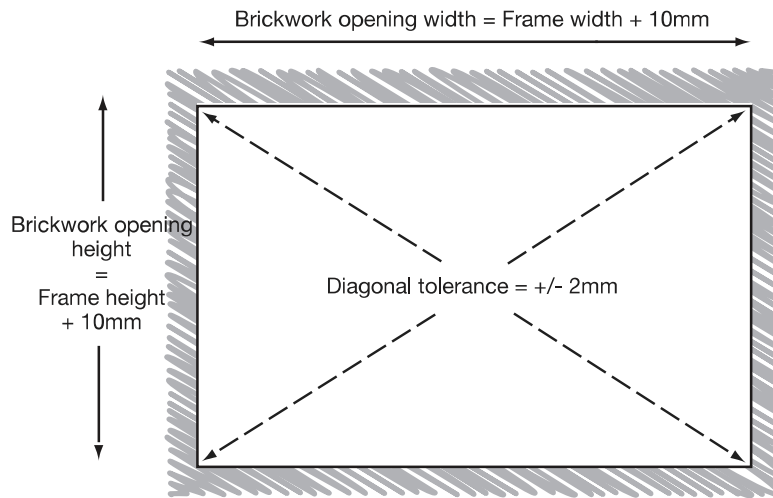


SDS drill bit - quantity 1
6.5mm x 210mm



INSTALLATION INSTRUCTIONS - quantity 1

Preparing the site



Brickwork opening:

When preparing the site please prepare the brickwork opening to be 10mm more in height and width than the outside assembled frame size of the Window Frame.

It is essential that all 4 internal surfaces of the brickwork be levelled before installation. Please ensure that all dimensions are correct for installation before proceeding as the set must be installed square and level into the opening.

Standard Window Frame Sizes

WINDOW Width x Height	Brickwork Opening Width x Height
620mm x 1040mm	630mm x 1050mm
620mm x 1190mm	630mm x 1200mm
905mm x 1040mm	915mm x 1050mm
905mm x 1190mm	915mm x 1200mm
1190mm x 1040mm	1200mm x 1050mm
1190mm x 1190mm	1200mm x 1200mm
1760mm x 1040mm	1770mm x 1050mm
1760mm x 1190mm	1770mm x 1200mm
620mm x 2090mm	630mm x 2100mm

Ready to Install

The Windows are delivered to you assembled with Double Glazed Units already installed.

The only assembly required is to 'knock on' the cill which is supplied separately and to fix the handle/s onto the locking mechanism.

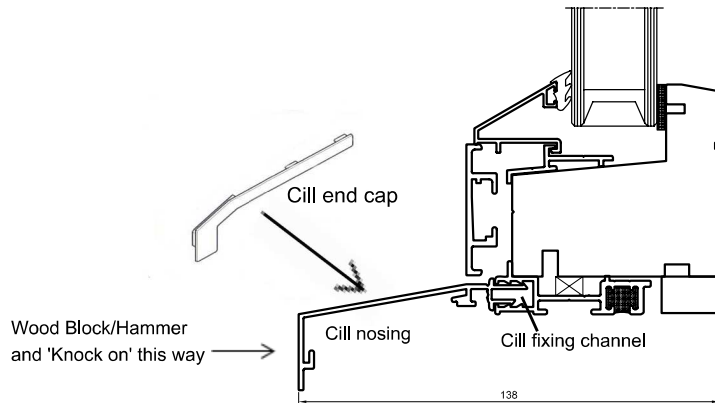
1 Fitting the Cill

ULTRA Aluminium Clad Windows

Note Well

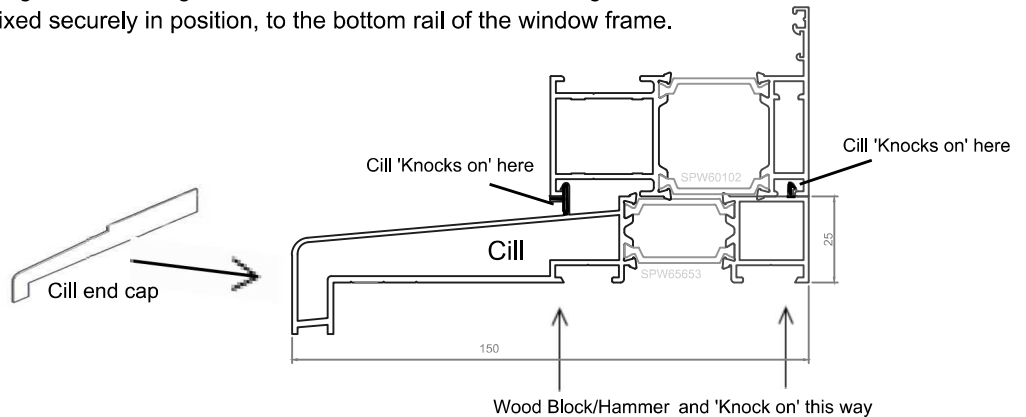
The front Cill nosing for the ULTRA Aluminium clad windows is fitted AFTER the installation of the window into the brickwork opening (Steps 3 to 6).

After the installation of the window frame into the brickwork opening. Firstly install the cill end caps to both ends of the Cill applying Silicone Sealant around the edges. Locate the Cill fixing channel at the bottom front of the frame and apply a bead of Silicone along the full length. Carefully align the Cill along the full width of the window then using a wooden block and hammer "Knock on" the Cill nosing into the locating channel, until it is tight and secure.



SUPREME/STATUS Aluminium Windows

Before installing the window frame into the brickwork opening. Firstly install the cill end caps to both ends of the Cill applying Silicone Sealant around the edges. Apply a bead of Silicone Sealant along the outermost groove on the underside of the window bottom rail. Align the Cill along the full width of the window then using a wooden block and hammer, 'knock on' the Cill until it is fixed securely in position, to the bottom rail of the window frame.



2 Fitting the Handle

Take the square bar from the handle pack and fit into the lock mechanism, then fit the handles to the inside of the frame and secure with the fixings provided.



Front Cover Cap



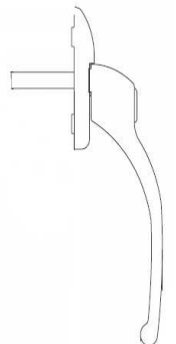
Rear Cover Cap



Screws x2



Spindle



Installing the Window into brickwork opening

3 The window will be fixed to the brickwork using the window fixing straps provided in the installation Kit.

ULTRA Aluminium Clad Window

The end of the window fixing strap with 2 holes fixes to the timber edge of the window - use one or both holes - at installers choice. Use the M4 25mm screws provided to secure the fixing strap to the wooden edge of the window. The straps should be fitted 150mm in from each corner, and centrally as shown in fig 1.

SUPREME/STATUS Aluminium Clad Window

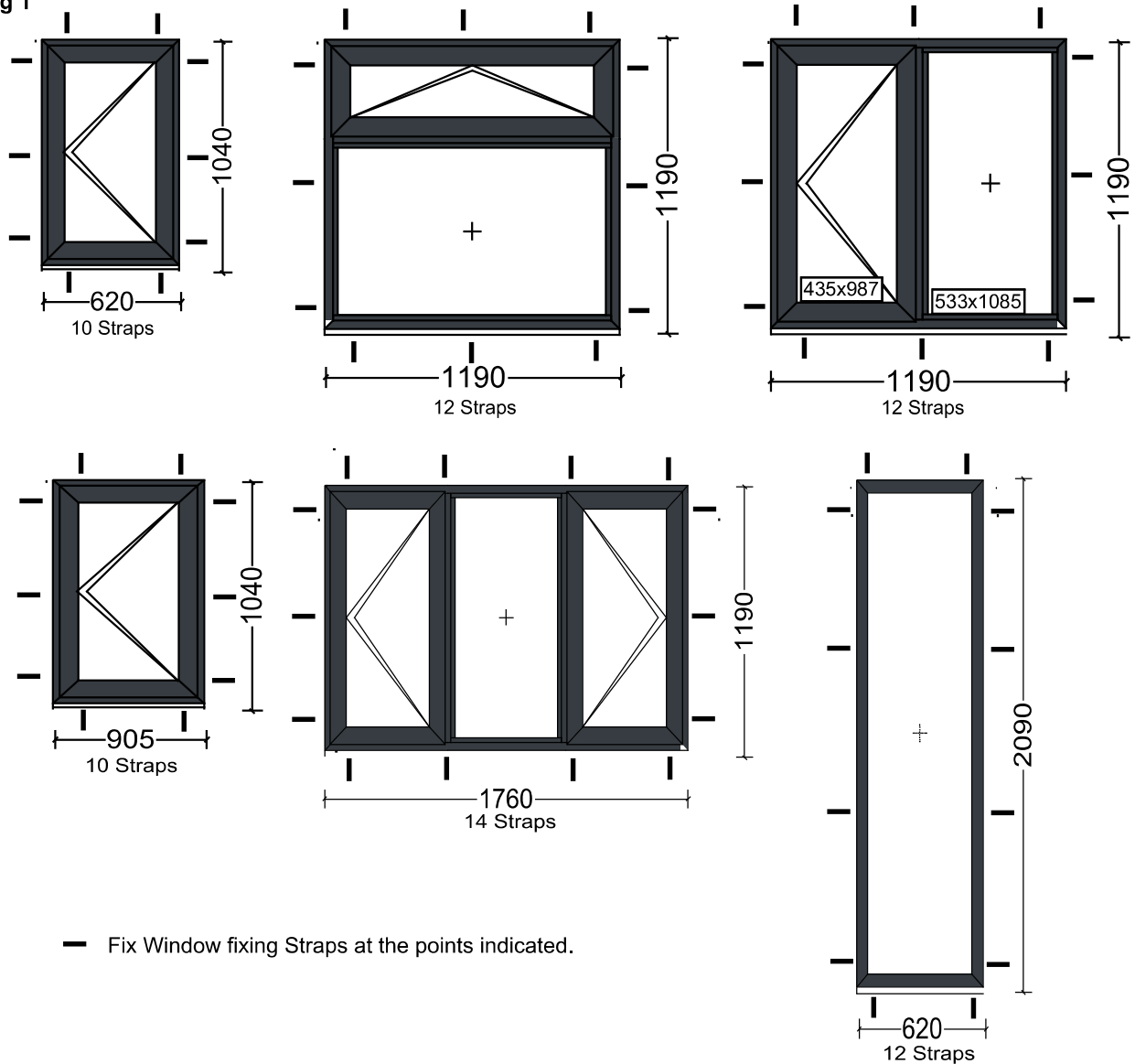
The end of the window fixing strap has 2 crimped, raised 'wings' of metal which fit into the 22mm groove, in the edge of the window. To install, with the window strap in the vertical position, slot the crimped, raised 'wings' of the strap into the 22mm groove, then rotate 90 degrees to the horizontal position. The window strap is now locked into position in the window.

The window strap is now locked into position in the window. Locate the window straps 150mm in from each edge and centrally, as shown in Fig 1.

SUPREME/STATUS Fixed Lite (620mm x 2090mm)

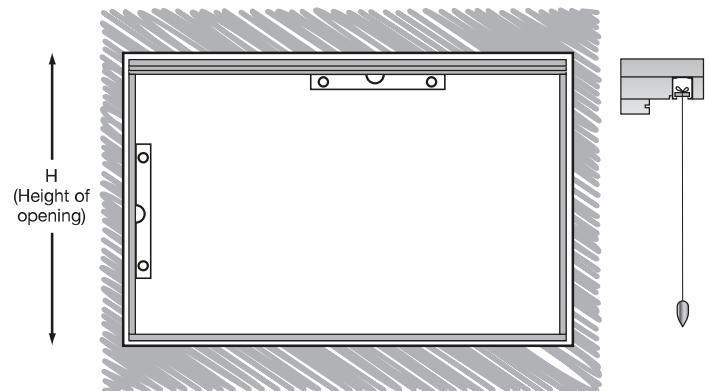
For this window fix the same as the ULTRA Aluminium Clad Window, but use the M4 25mm self tapping screws provided, instead of wood screws.

Fig 1



Installing the Window into brickwork opening cont'd

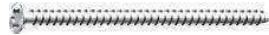
- 4** Bed the underside of the window cill onto the brickwork opening using Silicone Sealant by applying a bead of Silicone to the underside of the front edge of the window cill or along the brickwork. Then lift the window into the brickwork opening and hold in position with packers. Carefully check the window is completely square and level in the opening and that the vertical surfaces are level and plumb.



Once the window is level and square in the opening, bend the fixing straps to the inside blockwork/brickwork. Then using the SDS masonry drill bit, drill through the holes in the straps into the masonry and use the DIRECT FRAME FIXINGS to secure.

Important information about *direct frame fixings*

The direct frame fixings supplied will screw directly into brickwork. It is essential to use the 6.5mm drill and torx hex T30 bit provided to ensure a secure fixing.



- 5** Finally, Seal around the window using expanding foam Sealant, Silicone Sealant and/or trims on the outside and plaster up to the window on the inside, ensuring the window straps are covered.

Operation of the Handle/Lock

- 6** Opening, closing and locking is controlled by the handle. To close and lock, close the window turn the handle to hold the window shut then turn the key to lock. To open the window, turn the key to unlock, then depress the centre button (with the keyhole unit) and turn the handle. The window sash can now be pushed open.



Egress Defender Hinges

7 All your ULTRA Aluminium Clad and Supreme/Status Aluminium Windows have Egress Defender friction hinges to the opening sash/sashes. The sashes open for emergency exit from the building.

- Self lubricating PTFE based coating on end cap provides smooth closing
- Allows casement windows to open for emergency exit to comply with Buildings Regulations Approved Document B for fire escape windows♦
- Composite slider with stainless steel release lever mechanism allows cleaning access from the inside of the building to comply with BS8213-1



▲ RELEASE MECHANISM
Resets to egress mode after cleaning

▼ FULLY OPEN
Maximum 90° opening angle

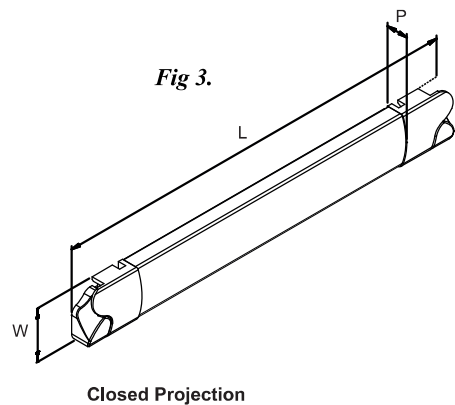
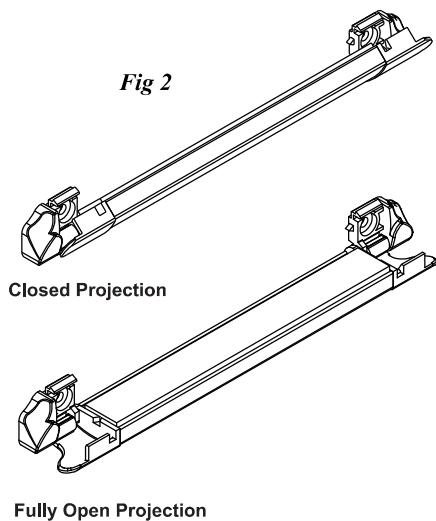


Ventilation

8 If you have selected and purchased Windows including the Trickle Vent option, you will find 1pc or 2pc (depends on the size of the window).

Trickle Vents in the top of the Window.

For Ventilation the Trickle Vents can be half opened or fully opened *Fig 2* or closed *Fig 3*.



DECLARATION OF CONFORMANCE

DoC N^o: JCI/ACWIN72

Product Type:	Aluminium Clad Timber Casement Window
Intended Use:	For use in domestic and commercial premises Not intended for use on escape route
Declared System of Assessment Performance:	3
Provisions to which the Product Conforms:	Annex ZA of BS EN 14351-1:2006+A1:2010
Reference to Supporting Product Certification and/or Test Reports <i>(supportive of compliance):</i>	Winkhaus - Weather Tightness Report TR830-BS6375-1:2004 Build Check Ltd - Thermal Performance Report CU15252-1

Declared Performance:

Essential Characteristics

Resistance to Wind Load:

Watertightness:

Dangerous Substance:

Load Bearing Capacity of Safety Device:

Acoustic Performance

Thermal Transmittance:

Radiation Properties:

Air Permeability:

Performance

Class E (2400Pa)

Class 7A (750Pa)

No emissions of dangerous substances emitted

Npd

Npd

1.5w/(m²K)

Npd

Class 2 (600Pa)

This declaration of performance is issued under the sole responsibility of JCI Limited.

Signed for and on behalf of the Company by

Name of Representative: John Collins

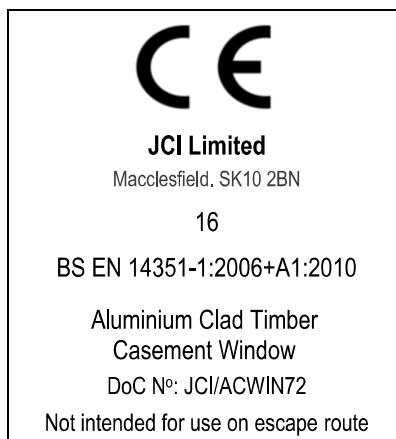
Job Title: Managing Director

Representative Signature:



Date of Issue: 03 March 2016

Product CE Marking Detail:



DECLARATION OF CONFORMANCE

DoC N°: JCI/ALIWIN70

Product Type:	Aluminium Casement Window
Intended Use:	For use in domestic and commercial premises Not intended for use on escape route
Declared System of Assessment Performance:	3
Provisions to which the Product Conforms:	Annex ZA of BS EN 14351-1:2006+A1:2010
Reference to Supporting Product Certification and/or Test Reports <i>(supportive of compliance):</i>	BM TRADA - Weather Tightness Report BMT/MTP/F14048/01/Rev 4 British Board of Agrément - Thermal Performance Report S2/59097

Declared Performance:

Essential Characteristics

	Performance
Resistance to Wind Load:	Class AE (2400Pa)
Watertightness:	Class 9A (600Pa)
Dangerous Substance:	No emissions of dangerous substances emitted
Load Bearing Capacity of Safety Device:	Npd
Acoustic Performance	Npd
Thermal Transmittance:	1.6w/(m ² K)
Radiation Properties:	Npd
Air Permeability:	Class 3 (600Pa)

This declaration of performance is issued under the sole responsibility of JCI Limited.

Signed for and on behalf of the Company by

Name of Representative: John Collins

Job Title: Managing Director

Representative Signature:



Date of Issue: 03 March 2016

Product CE Marking Detail:

